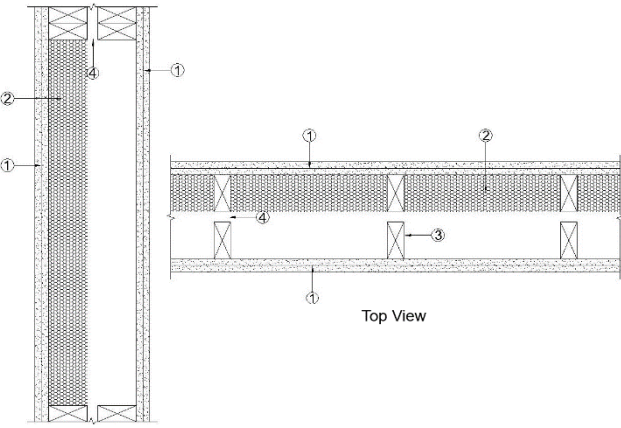


ENERTITE® UL Fire-Rated Partition Wall

This 2-hour UL fire-rated partition wall assembly is an integral part of the extensive portfolio of UL fire-rated design options offered by BASF. Our partition wall assembly can utilize either ENERTITE® G or ENERTITE® Max open-cell spray foam to provide the sound attenuation and fire performance the building code requires while increasing occupant comfort. The combination of this UL fire-rated partition wall with the other UL fire-rated exterior wall, floor/ceiling, and roofing assemblies found in the HP+ FR Systems portfolio helps support designers and builders as they work on constructing the high-performance buildings demanded by their clients.

UL 2-Hour Fire-Rated Assembly	Features	UL Design Listings
 <p>Side View</p>	<ol style="list-style-type: none"> 5/8-in. Type X gypsum (2 layers). ENERTITE G or ENERTITE Max (Partial to full fill cavity). Min. 2x4-in. wood studs (16-in. o.c. max.). Min. 1-in. air space. <ul style="list-style-type: none"> Additional insulation options (On opposite side). Load and non-load bearing rated 	<p>UL V324</p> <p>UL V342</p> <p>UL V352</p>

Certifications and Claims:

- 2-Hour UL 263 Fire-Rated (UL Designs V324, V342 and V352)
- UL GREENGUARD and UL GREENGUARD Gold Certified
- [ICC-ESR-3102](#)
- [INTERTEK CCRR-1032](#)
- ASTM E119
- ASTM E2178
- ASTM E90 – STC 57+
- UL Environmental Claim Validation - ECV (Biobased Content, VOC emissions, Mold Resistance).

For more information on fire and sound performance of BASF foam systems, see the BASF Tech Tips 9 and 22.

TECHNICAL ASSISTANCE

Contact Inside Technical Support at:
Toll-Free: 800-706-0712, option 2
Email: spf.techsales@basf.com
Website: www.spf.basf.com
Technical Resources: [Contractor Resource Center](#)

ENERTITE® is a registered trademark of BASF Corporation.

