



We create chemistry

Spray-applied technologies

Exceed Performance Criteria.
Every code. Every climate. Every application.

Constructing Tomorrow

What do you want your next project to be known for? Energy efficiency? Durability? Environmental stewardship? Comfort? Design? All of the above? Whatever your goal, our high-performance polyurethane technologies are engineered for your success.

From industry-leading insulating air barrier systems for commercial and residential construction, to almost-indestructible roofing systems, the versatility of polyurethane chemistry lets you specify a material to meet and exceed performance criteria for every code and climate.

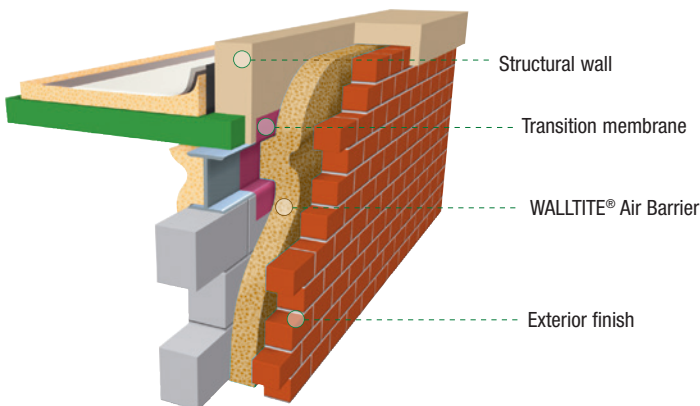
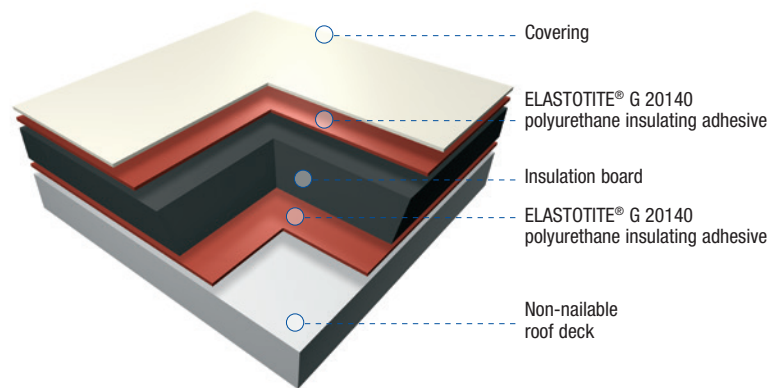
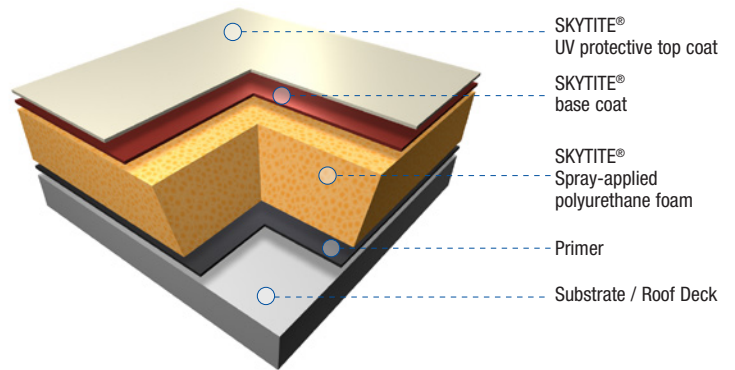
Our polyurethane technologies are two-component products, engineered in the molecular level for specific applications and performance attributes. Spray-applied and seamless, they conform exactly to any shape or contour, locking in leak-free comfort and energy efficiency. Offering both closed-cell and open-cell options, our spray foam products are designed to meet your specific needs.



Engineered for roofs.

High-performance SKYTITE® roofing systems for commercial and residential applications provide seamless, leak-free protection from the elements with some of the highest wind uplift and hail resistance ratings in the industry. Spray-applied, the exterior low-slope roofing systems are self-flashing and handle unusual shapes, elevations and slope-to-drain requirements with ease. In retrofit situations, SKYTITE systems can be applied directly to the existing substrate in most cases, avoiding a costly tear-off and diverting thousands of pounds of waste from the landfill. The superior insulation performance of SKYTITE polyurethane foam contributes to improved building energy efficiency, and when combined with ENERGY STAR®-rated SKYTITE reflective coatings can help lower rooftop temperatures for reduced urban heat island effect.

Why make holes in your leak-proof roof? ELASTOTITE® G 20140 polyurethane roofing adhesive makes leaks caused by nails and screws a thing of the past. ELASTOTITE G 20140 adhesive helps lower labor costs and provides an almost-silent application for reduced disruption to building occupants. ELASTOTITE G 20140 adhesive fully adheres to most building materials, including non-nailable decks like concrete or gypsum. And while mechanical fasteners often add to thermal bridging, the seamless, monolithic ELASTOTITE G 20140 adhesive eliminates temperature transmission to provide improved building energy efficiency and durability. Spray-applied and expanding, ELASTOTITE G 20140 polyurethane adhesive fills gaps and seams between insulation boards to recover the R-value loss these gaps can cause. ELASTOTITE G 20140 polyurethane adhesive has multiple wind uplift resistance credentials from third-party testing laboratories including UL and FM.



WALLTITE®

Engineered for buildings.

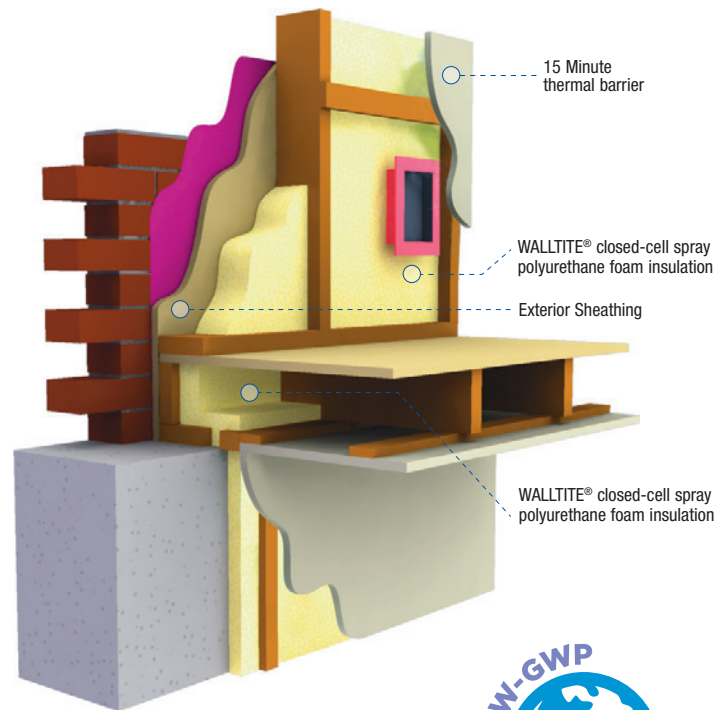
WALLTITE® technology is one of the highest-performing combination insulation and air barrier systems available today. With an insulation R-value of 6.9-7.1 per inch and an air permeability rating of $<0.001 \text{ L/s/m}^2 @ 75 \text{ Pa}$ at 1.5-inch thickness, the WALLTITE system makes a significant contribution to improved energy efficiency, durability and comfort in multi-unit residential and commercial buildings. The United States Department of Energy estimates that 40 percent of the cost of heating and cooling a building is lost to uncontrolled air leakage, which can also lead to premature building deterioration, condensation and mold. WALLTITE technology eliminates uncontrolled air leakage. Rigid, self-adhering and seamless, it adds structural strength and offers a life expectancy greater than the service life of the building. The WALLTITE system is approved by the Air Barrier Association of America to meet the Commercial State Energy Codes air barrier requirements, and also has been evaluated to perform as a weather-resistant barrier. This system was formulated as a low-VOC product which meets GREENGUARD GOLD standards and also uses an ultra-low (less than 1) global warming potential blowing agent, for a lessened environmental impact.

BASF creates chemistry for a sustainable future

Low-global warming potential spray foam chemistries improve the energy efficiency performance of homes and buildings, reducing carbon emissions and helping to address climate change challenges.

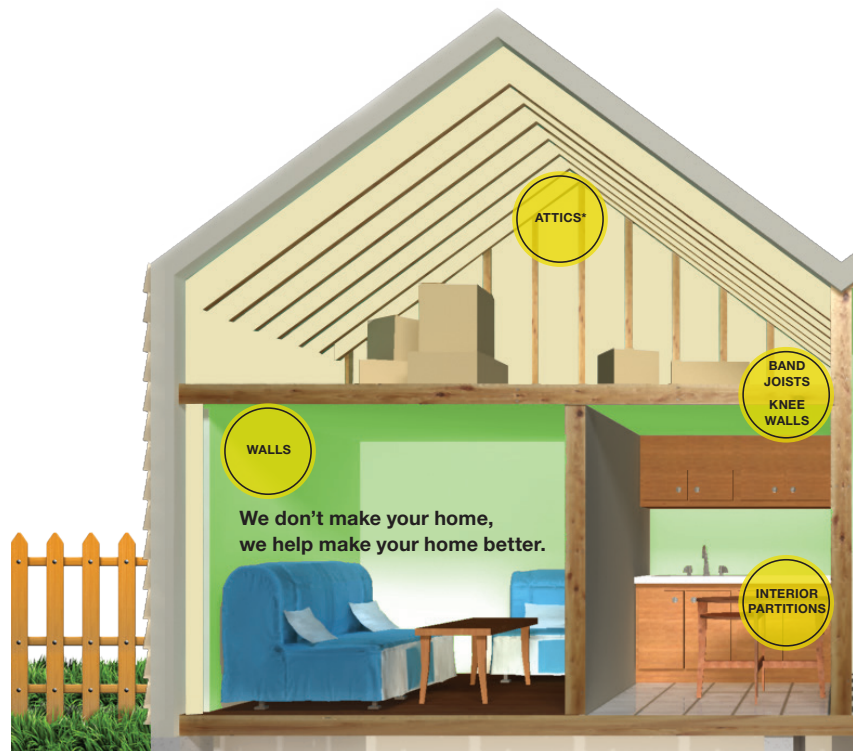
Engineered for homes.

WALLTITE® closed-cell spray polyurethane foam technology is the two-for-one solution for residential builders – a fully-tested, field-proven combination insulation and air barrier material, all in a single application. Spray-applied and fully-adhered, the WALLTITE system eliminates uncontrolled air leakage, convection looping, thermal bridging and condensing surfaces for improved comfort and energy efficiency. It also helps prevent moisture-related problems that can cause mold, condensation, ice damming and rot. Closed-cell polyurethane foam is classified as 'acceptable flood-damage resistant material' by the Federal Emergency Management Agency (FEMA)*. WALLTITE was formulated as a low-VOC system to meet GREENGUARD GOLD standards and also uses an ultra-low (less than 1) global warming potential blowing agent, for a lessened environmental impact. WALLTITE insulation is accepted by all major building codes, encompassing both single and multi-family applications.

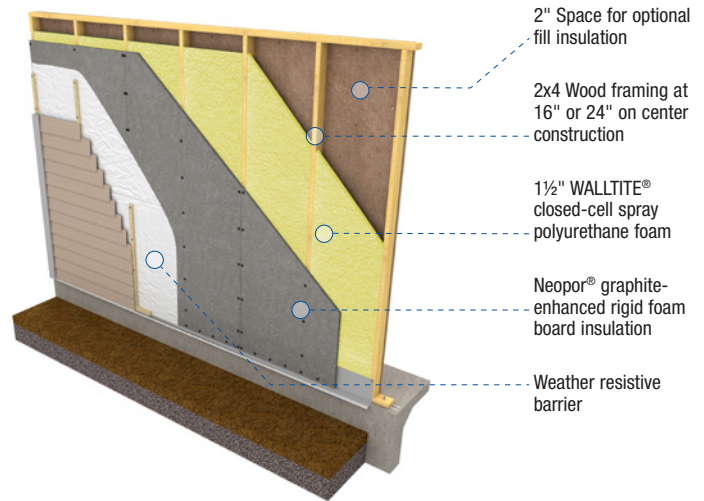


ENERTITE®

ENERTITE® is a low-density, open-cell spray polyurethane foam insulation that provides air tightness, sound absorption, and thermal insulation value in a single material. This allows better control of your indoor environment to create homes and buildings that are more energy efficient, comfortable, quieter, and healthier. Formulated to satisfy GREENGUARD GOLD standards for low-VOC, ENERTITE meets stricter safety criteria for sensitive individuals and ensures the product can be used in schools and healthcare facilities. Applied as a liquid, this eco-friendly water-blown foam quickly expands to many times its original size completely filling wall and roof cavities. ENERTITE won't sag or settle and easily flows in and around obstructions like pipes and wiring, creating a seamless seal against air leakage and the humidity, dust, and allergens it carries. Combined with adequate mechanical ventilation, ENERTITE promotes healthy indoor air quality and provides long-lasting value for the savvy homebuyer.



The patented HP+™ Wall System is a durable, structural assembly that meets or exceeds codes while using less wood than traditional construction, resulting in exceptional energy and cost efficiency. It is available in multiple assemblies in the United States and Canada, for a variety of residential and commercial applications. The assemblies combine advanced framing, foam sheathing, and spray polyurethane foam in a composite design to provide structure, insulation, and air sealing in a single integrated system. Each is engineered to include a unique combination of select products from BASF's proven portfolio to meet the demands of various climate zones and code requirements. When properly designed and installed, the HP+ Wall System increases structural integrity (up to 35%) while lowering lumber content (up to 25%) and reducing or eliminating the need for plywood or OSB sheathing. Easily achieve R-23 or better in a 2x4 building configuration, preserving your square footage while improving thermal performance.



Better Buildings, Better Planet – The role of the world's leading chemical company.

BASF offers a complete engineered building envelope system, including spray-applied polyurethane foam for all types of buildings, a full system warranty and a single source supply of roof foam systems with silicone and acrylic coating solutions for the commercial roofing market.

As the world's leading chemical company, BASF plays a critical role in shaping a sustainable future. We are committed to developing products that make homes and buildings more energy efficient, durable and affordable to own. Through innovation, consumer education, design professional education and contractor training, we are changing the way homes and buildings are built.

At BASF we are working to find answers to two of our greatest challenges – climate protection and energy conservation. The EPA estimates that the energy used in buildings generates 30 percent or more of all U.S. greenhouse gas emissions. By making our homes and buildings more energy efficient, we can have an immediate and significant impact on the health of the planet. As demand for sustainable construction materials and applications continues to grow, BASF offers new cost-effective solutions, developed at extensive R&D facilities around the corner and around the world.

Find out how our polyurethane technologies can help your construction project attain points under Leadership in Energy and Environmental Design (LEED®) rating systems, please visit www.spf.basf.com.



1-888-900-FOAM

BASF Corporation
1703 Crosspoint Avenue
Houston, TX 77054
Fax: 713-383-4592
www.spf.basf.com
spfinfo@basf.com

363-1160B-COM

THEY ARE PROVIDED FOR GUIDANCE ONLY. BECAUSE MANY FACTORS MAY AFFECT PROCESSING OR APPLICATION/USE, BASF RECOMMENDS THAT THE READER MAKE TESTS TO DETERMINE THE SUITABILITY OF A PRODUCT FOR A PARTICULAR PURPOSE PRIOR TO USE. NO WARRANTIES OF ANY KIND, EITHER EXPRESSED OR IMPLIED, INCLUDING WARRANTIES OF MERCHANTABILITY OR FITNESS FOR A PARTICULAR PURPOSE, ARE MADE REGARDING PRODUCTS DESCRIBED OR DESIGNS, DATA OR INFORMATION SET FORTH, OR THAT THE PRODUCTS, DESIGNS, DATA OR INFORMATION MAY BE USED WITHOUT INFRINGING THE INTELLECTUAL PROPERTY RIGHTS OF OTHERS. IN NO CASE SHALL THE DESCRIPTIONS, INFORMATION, DATA OR DESIGNS PROVIDED BE CONSIDERED A PART OF THE BASF TERMS AND CONDITIONS OF SALE. FURTHER, THE DESCRIPTIONS, DESIGNS, DATA, AND INFORMATION FURNISHED BY BASF HEREUNDER ARE GIVEN GRATIS AND BASF ASSUMES NO OBLIGATION OR LIABILITY FOR THE DESCRIPTION, DESIGNS, DATA OR INFORMATION GIVEN OR RESULTS OBTAINED, ALL SUCH BEING GIVEN AND ACCEPTED AT THE READER'S RISK.

* Technical Bulletin 2-08, Flood-Resistant Materials Requirements for Buildings Located in Special Flood Hazard Areas, in Accordance with the National Flood Insurance Program, Federal Emergency Management Agency, 2008
WALLTITE, SKYTITE and ENERTITE are registered trademarks of BASF Corporation.
UL and UL logos are trademarks of UL LLC.
LEED® is a registered trademark of the United States Green Building Council.
ENERGY STAR® is a registered trademark of the United States Department of Energy.
© 2023 BASF Corporation